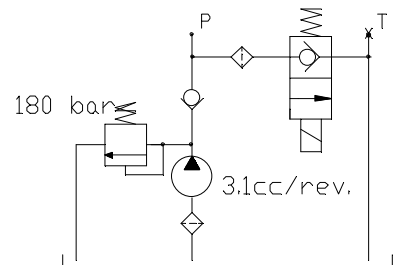


THE INFORMATION CONTAINED IN THIS DRAWING IS THE SOLE PROPERTY OF SPX FLUID POWER. ANY REPRODUCTION IN PART OR AS A WHOLE WITHOUT THE WRITTEN PERMISSION OF SPX FLUID POWER IS PROHIBITED.

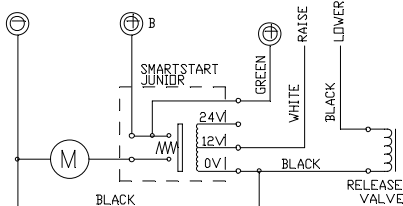
**** NAMEPLATE INFORMATION ****



**** HYDRAULIC CIRCUIT ****



**** ELECTRIC CIRCUIT ****



**** UNIT SPECIFICATION ****

MOTOR	12 VOLT DC: 2 TERMINAL
PUMP	A.F.C. 3.1 CC/REV. (.189 CU.IN./REV.)
RELIEF	ADJUSTABLE SET AT 2600 P.S.I. [180 bar]
ENDHEAD	2 PORT. "DISTRIBUTOR" WITH TANK PORT PLUGGED
TANK	PLASTIC 6.69 [170mm] SQ. USABLE CAPACITY 1.7 GAL. [6.5L]
VALVING	SOLENOID RELEASE, RELIEF AND DELIVERY CHECK
WIRING	SEE ELECTRIC CIRCUIT
ASSEMBLY FINISHING	WIPE UNIT CLEAN OF OIL APPLY NAMEPLATE TO TANK APPLY LABELS AS SHOWN PLUG MOTOR DRAIN HOLES
PACKING SHIPPING	SHIP Q4-1000-00 LOOSE IN CARTON UNIT INDIVIDUALLY PACKED ONE PER CARTON CARTONS ON PALLET

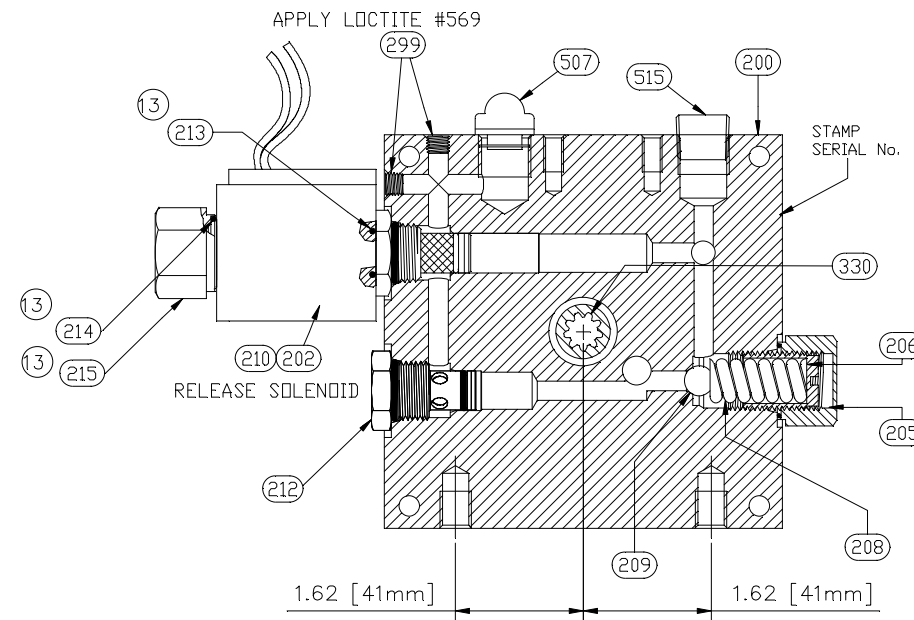
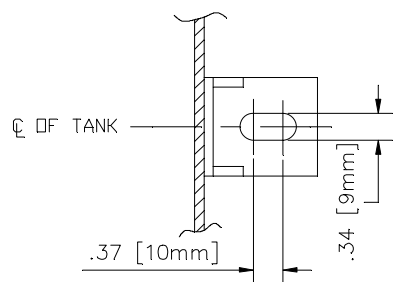
**** UNIT PERFORMANCE ****

NOMINAL PERFORMANCE AT 11.7 VOLTS
RELIEF SETTING (FULL FLOW) = 2600 P.S.I. [180 bar]
FLOW AT 2050 P.S.I. = 1.5 GPM MIN. - 1.9 GPM MAX.
[FLOW AT 140 bar = 5.8 LPM MIN. - 7.2 LPM MAX.]
CURRENT DRAW AT 2050 P.S.I. [140 bar] = 330 AMPS MAX.

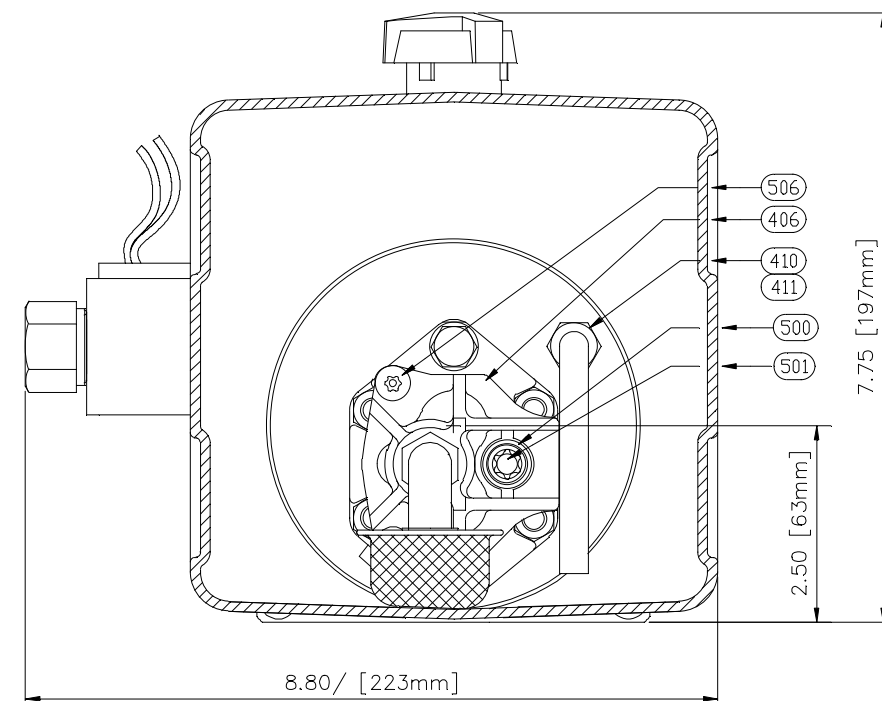
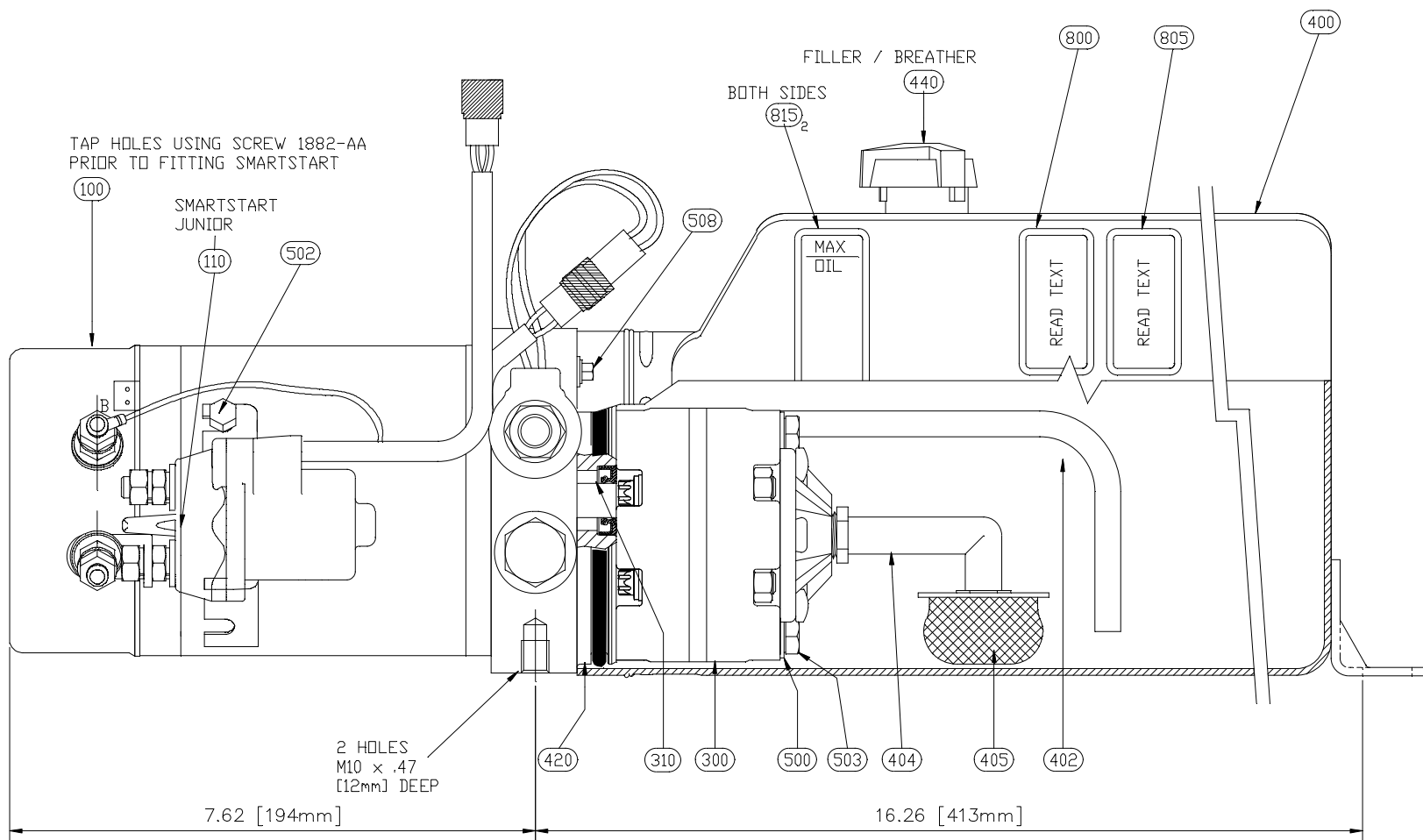
SPX MANUFACTURING STANDARDS

FASTENER TORQUES LABELING	2.11.01 2.16.59
---------------------------	--------------------

WHICH PROTECT USERS FROM THE EFFECTS OF SUDDEN LOSS OF PRESSURE IN HYDRAULIC CYLINDERS.



PART SECTION THROUGH VALVEHEAD



10-JUL-06	060624B	GWR	MDP	8	CHANGE 12V MOTOR TO 2 TERMINAL MOTOR
29-NOV-05	050830D	NJS	MDP	7	REMOVED 207, UPDATED DRAWING
06-AUG-05	050718E	TWA	HLM	6	ADD: 1000122 & 1000169 REM: 2814-AA & F6-4000-25
05-MAR-04	040304B	MRW	---	5	SEE ECO FOLDER
19-JAN-04	040119B	MDP	---	4A	SEE ECO FOLDER
10-NOV-03	CN.2897	ANM	---	4	SEE ECO FOLDER
20-APR-01	CN.2606	ANM	---	3	SEE ECO FOLDER
30-OCT-00	CN2502	PC	---	2	SEE ECO FOLDER
DATE	ECO	DRAWN	CHK'D	LEVEL	CHANGE

5/22/07	07040199	KSS	---	13	ADDED G1-1010-15, W3-1001-00, 10300
12/28/06	061227A	SS	JH	12	MOVED GROUND CABLE
10/3/06	060922D	NRA	MS	11	SEE ECO
18-SEP-06	060915A	SS	PEA	10	REMOVED STANDARD
29-AUG-06	060712C	SS	JH	9	ADDED STANDARD

REPORT ERRORS TO ENGINEERING

DRAWN BY	PC	18-OCT-99
CHECKED BY		
EXP. SERVICE PARTS LIST:	NONE	
THIRD ANGLE PROJECTION	ECO:	
DO NOT SCALE DRAWING	EFF:	
	ALL DIMENSIONS IN INCHES	

SPX FLUID POWER 5885 11th Street
Rockford, IL 61109 USA

OUTLINE DC POWER PACK
FOR FENNER FRANCE
(M21UZ 3.1 C01 P42H 180)

PART NO.	UD1845A	REV.	13
DWG. NO.	UD1845A	SIZE	D