

Fig.1

| REF | ITEM DESCRIPTION | Q.TY |
|-----|----------------------------|------|
| 1 | Motor | 1 |
| 2 | Tank | 1 |
| 3 | Motor/pump connection body | 1 |
| 4 | Button panel (with key) | 1 |
| 5 | Motor guard casing | 1 |
| 6 | Button panel's bracket | 1 |
| | | |
| | | |
| | | |

Tab.1

| | |
|--|---------------|
| Motor 12V | 2000 W |
| Motor 24V | 2500 W |
| Pump displacement [cm ³ /rev] | 3,1 |
| Out port (P1) | Male 1/2" BSP |
| Relief valve setting pressure [bar] | 180 |

Tab.2

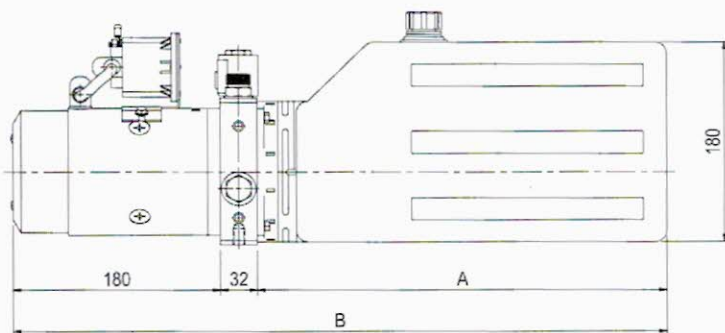
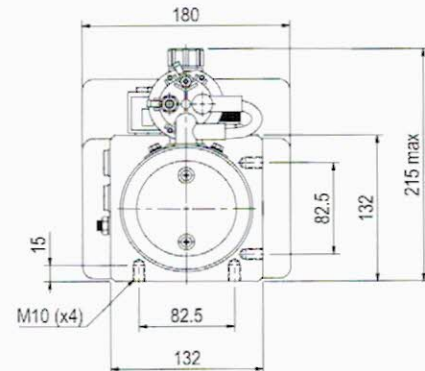


Fig.2



1. TANKS AVAILABLE

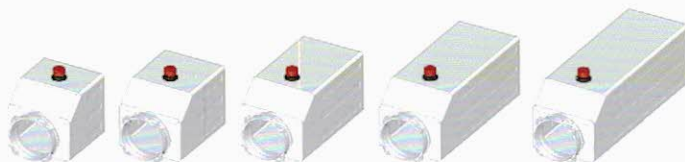


Fig.3

| A [mm] | B [mm] | Effective volume [L] | Total volume [L] |
|--------|--------|----------------------|------------------|
| 196 | 408 | 4,0 | 6,0 |
| 275 | 487 | 6,0 | 8,5 |
| 355 | 567 | 8,0 | 11,0 |
| 440 | 652 | 10,0 | 13,8 |
| 520 | 732 | 12,0 | 16,0 |

Tab.3

2. TECHNICAL FEATURES

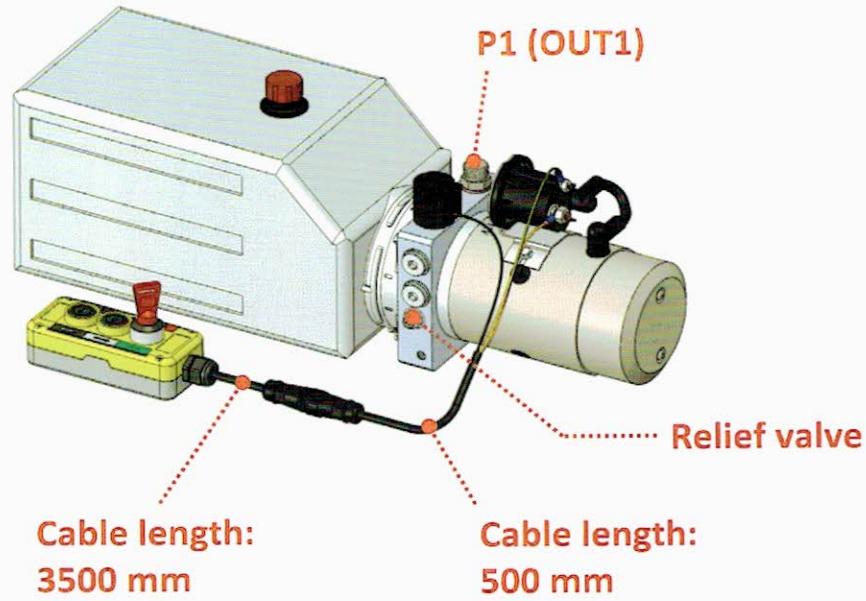


Fig.4

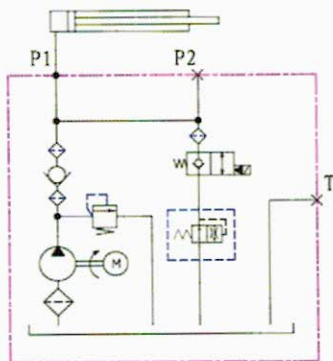


Fig.5
HYDRAULIC
CIRCUIT

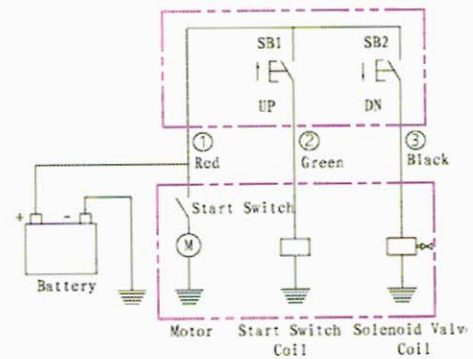


Fig.6
ELECTRICAL
CIRCUIT

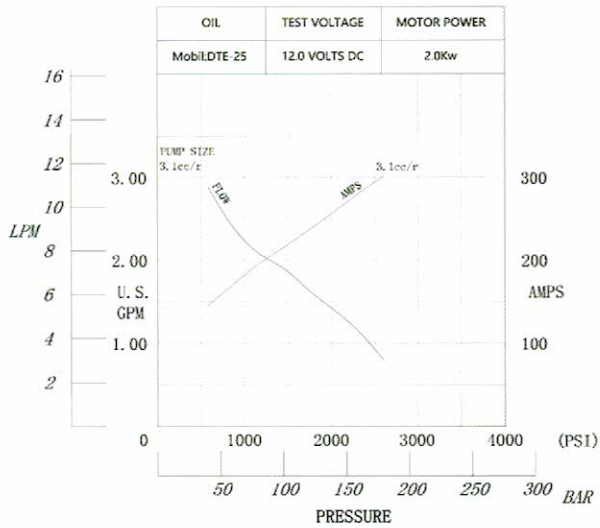


Fig.7
PERFORMANCE
CURVE 12V

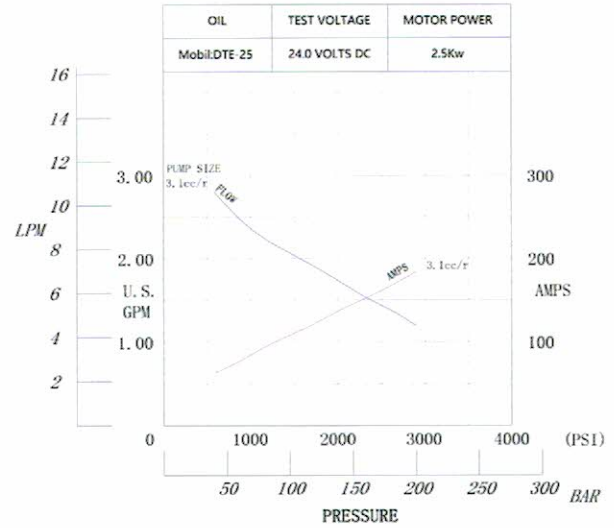


Fig.8
PERFORMANCE
CURVE 24V

3. BUTTON PANEL'S BRACKET

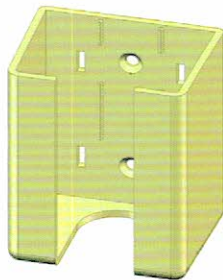


Fig.9

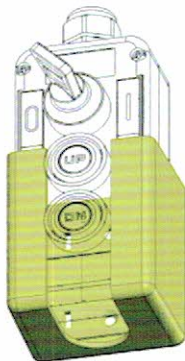


Fig.10

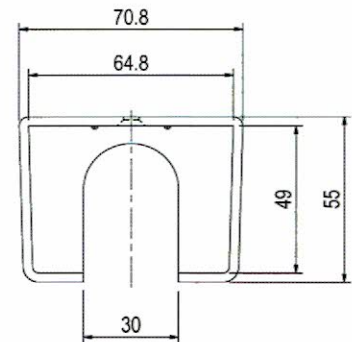
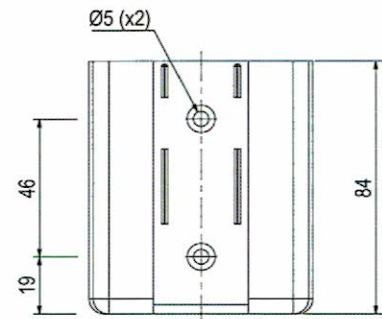


Fig.11